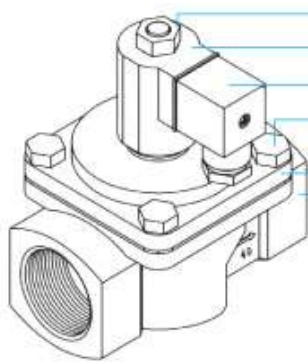
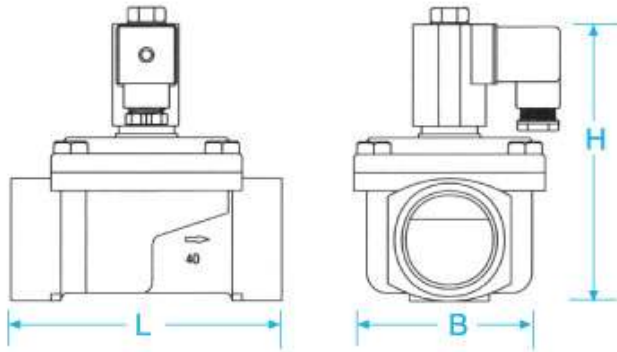


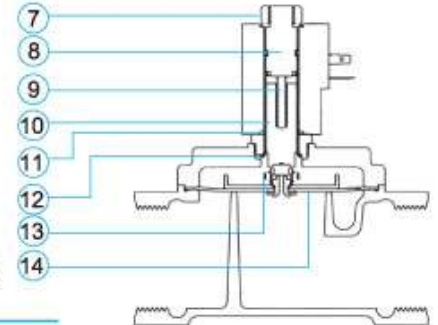
OHO® MD SERIES SOLENOID VALVE

2-Way Kick Pilot Operated Diaphragm Solenoid Valves, Normally Closed, Energize to Open.

2008/08 Edition Printed Catalog



NO.	PART	MATERIAL	NO.
1	Nut	Copper	
2	IP 65 Moulding Coil F Class Insulation		
3	Din Box	Nylon	
4	Bolt	SUS 304	
5	Valve Bonet	Bronze	
6	Valve Body	Bronze	
	O-Ring	EPDM	
	Packless A'ssy	SUS 304, KM-31	
	Plunger Spring	SUS 304	
	Plunger	KM-31	
	O-RING	EPDM	
	O-RING	EPDM	
	Spring	SUS 304	
	Diaphragm	SUS 304, BSBF, BN-002, (SUS 304 & EPDM)	



Dimensions (mm)

Size (Inch)	1/2"	3/4"	1"	1 1/4"	1 1/2"	2"
L	70	80	90	120	136	160
B	57	65	74	83	97	113
H	52	62	72	136	146	156

Test Item

Media	Air
Media Temperature	General
Test Pressure	Low Pressure: 0.1kg/cm ² High Pressure: 10kg/cm ²
Valve Seat Leakage	0cc
Insulation Resistance	MIN, 100MΩ at DC 500V 1 MINUTE

Valve Selection and Performance Chart

Model	Size	Opt. Press	Orifice (mm)	Cv Value	Media	Media Temp Range	Ambient Temp.	Power Consumption
MD-15WAG-M16	1/2"		16	3.7				
MD-20WAG-M16	3/4"	0 ~ 10	23	6.3	Water			
MD-25WAG-M16	1"	kgf/cm ²	27	8	Air, Inert	-5 ~ 120°C	-20° ~ 60°C	36 VA
MD-32WAG-M16	1 1/4"		32	13	Gases &	Non-Frozen		
MD-40WAG-M16	1 1/2"		40	20.3	Oil, Below			
MD-50WAG-M16	2"		50	32	50cst			

* Specifications for Normally Open & other type of application are available on request

Due to continuous product development, data is not binding and may change without prior notice