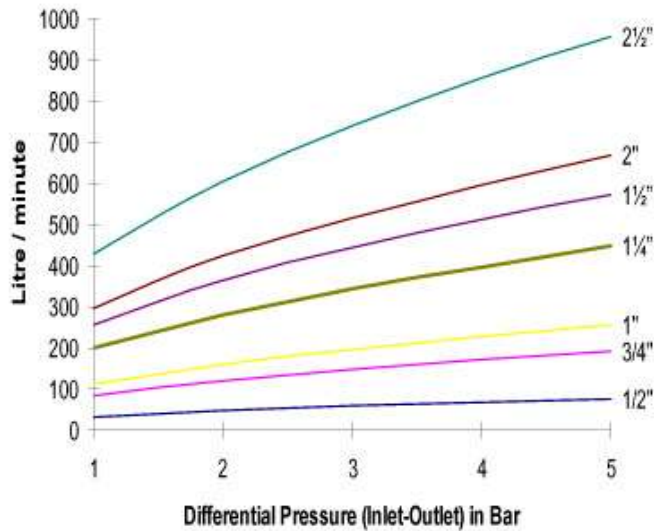


# OHO® PRESSURE REDUCING VALVE

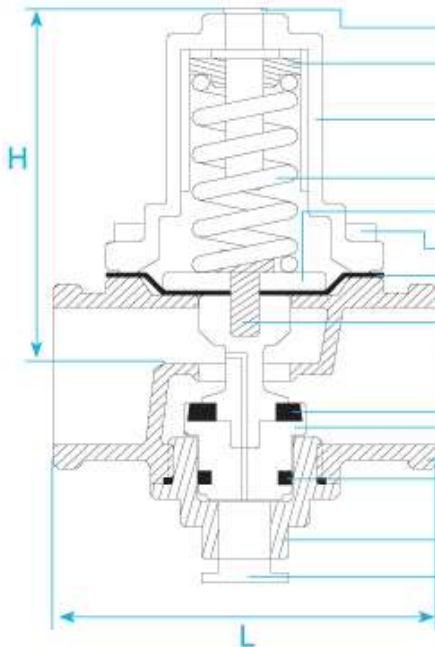
2008/08 Edition Printed Catalog

Flow Rate Chart



**Model 16 SCR**

Connection: Threaded Ends to BSP  
 Application: Water  
 Working Temperature: -15°C to 80°C  
 Test Pressure (Body): 21 Bar  
 Max. Working Pressure: 12 Bar (1/2" to 2")  
 14 Bar (2 1/2")  
 Outlet Pressure Adjustment 1 Bar – 5 Bar  
 Range (1/2" to 2 1/2") : 4 Bar – 9 Bar



NO. PART	MATERIAL
1 Adjusting Bolt	Brass
2 Washer	Steel
3 Spring Cover	Nylon (1/2" – 2") Bronze (2 1/2")
4 Spring	Steel
5 Washer	Steel
6 Bolt	Stainless Steel
7 Diaphragm	EPDM
8 Shaft	Brass
9 O-Ring	EPDM
10 Piston	Brass
11 Body	Bronze
12 O-Ring	EPDM
13 Lower Cover	Brass
14 Pressure Gauge Inlet (1/4" Female Thread)	

Dimensions (mm)

Size (Inch)	mm	1/2"	3/4"	1"	1 1/4"	1 1/2"	2"	2 1/2"
L	End to End	60	70	80	90	110	115	150
H	Height	70	70	80	85	110	115	180
D	Cv	2.4	6	8	14	18	21	30

Due to continuous product development, data is not binding and may change without prior notice

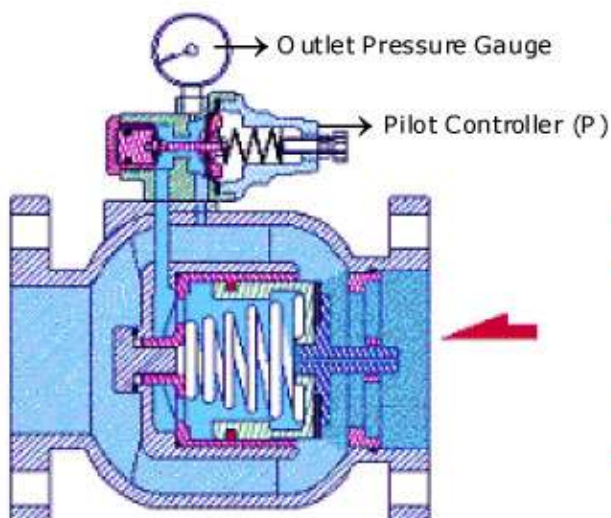
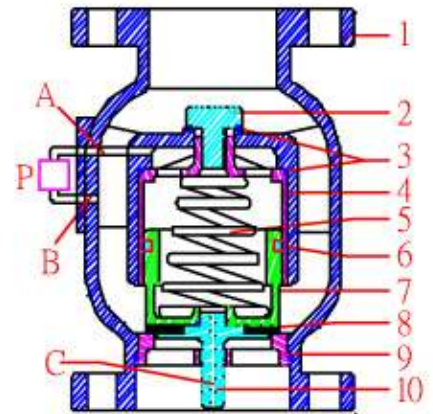
# OHO<sup>®</sup> OZ SERIES PRESSURE REDUCING VALVE

- Piston Type.
- Flange Ends to PN16, PN25, ANSI-150#, JIS10K or JIS20K.
- Threaded Ends to BS 21 or NPT.
- Selective part materials may be customized according to fluids.



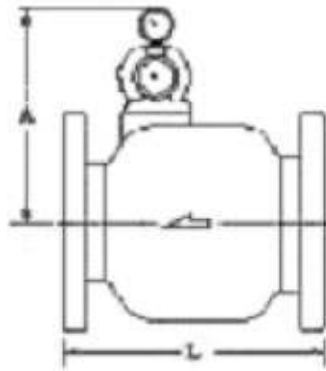
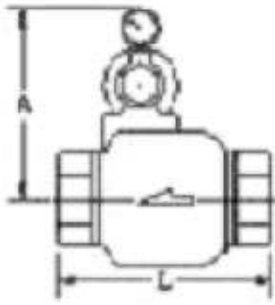
## Materials

NO.	PART	MATERIAL
1	Main Body	Cast / Ductile Iron Bronze Stainless Steel
2	Cylinder Bolt	Brass Brass Stainless Steel
3	O - Ring	EPDM EPDM NBR / Viton
4	Cylinder	Bronze Bronze Stainless Steel
5	Spring	Stainless Steel Stainless Steel Stainless Steel
6	U - Ring	EPDM EPDM NBR / Viton
7	Piston	Bronze Bronze Stainless Steel
8	Sealing	EPDM EPDM NBR / Viton
9	Seat	Bronze Bronze Stainless Steel
10	Shaft	Bronze Bronze Stainless Steel
P	Pilot Controller	Brass Brass Stainless Steel
A	Pilot Controller Inlet	Cast / Ductile Iron Bronze Stainless Steel
B	Pilot controller outlet	Cast / Ductile Iron Bronze Stainless Steel
C	Inlet guiding hole	Bronze Bronze Stainless Steel



Pressure Test	
Bronze & Cast Iron Material	21 Bar
Ductile Iron Material	32 Bar
Stainless Steel Material	35 Bar
Working Temperature	-15°C to 80°C
Pressure Reduction Range	0.7 – 7 Bar 4 – 12 Bar





#### Threaded Ends Dimensions

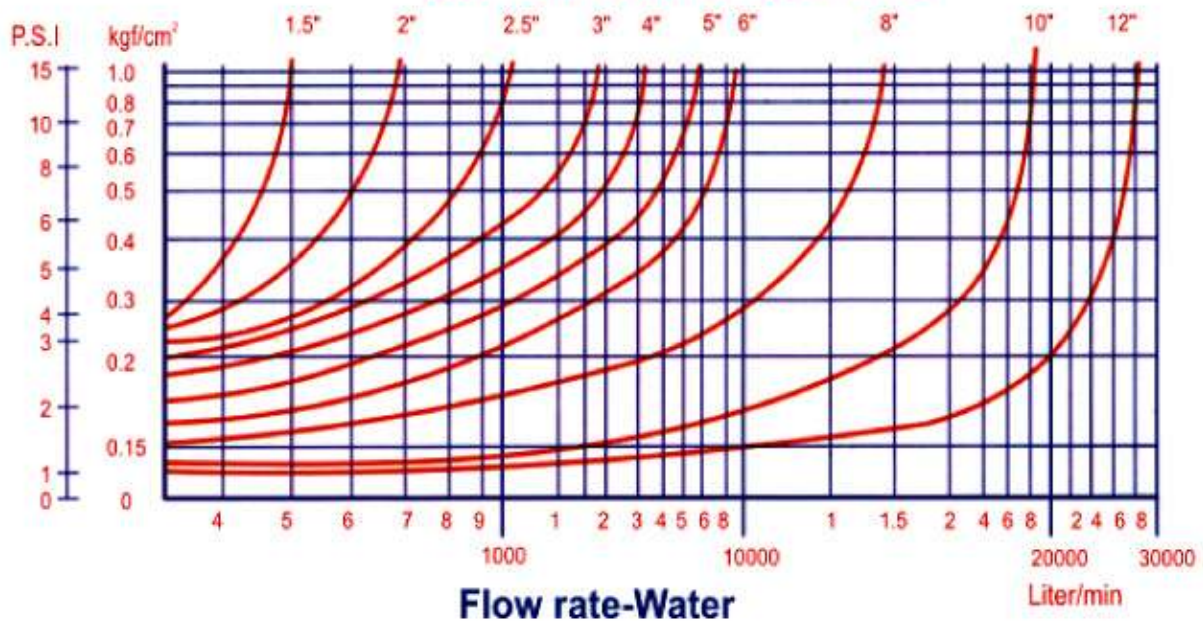
	1½"	2"
L(mm)	120	200
A(mm)	160	180
Cv	48	75

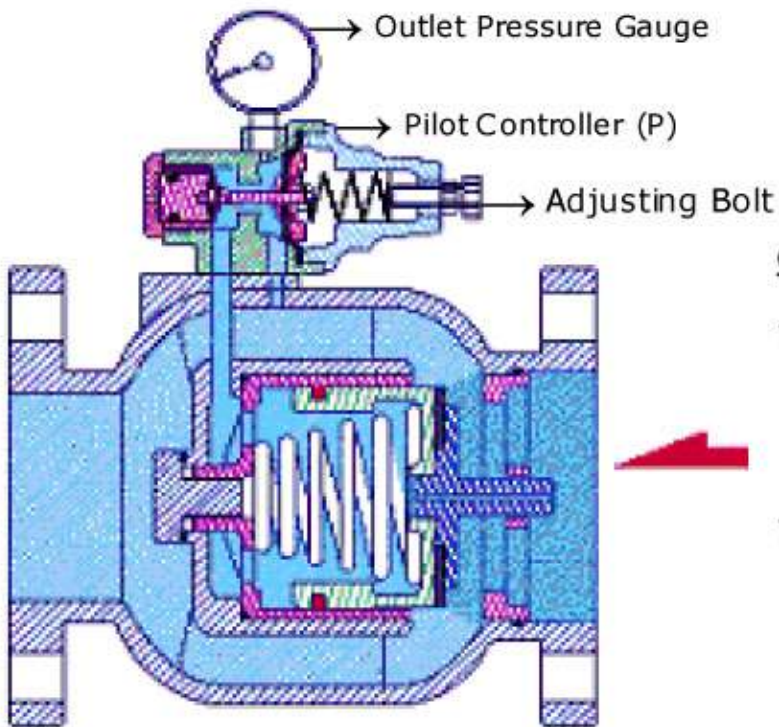
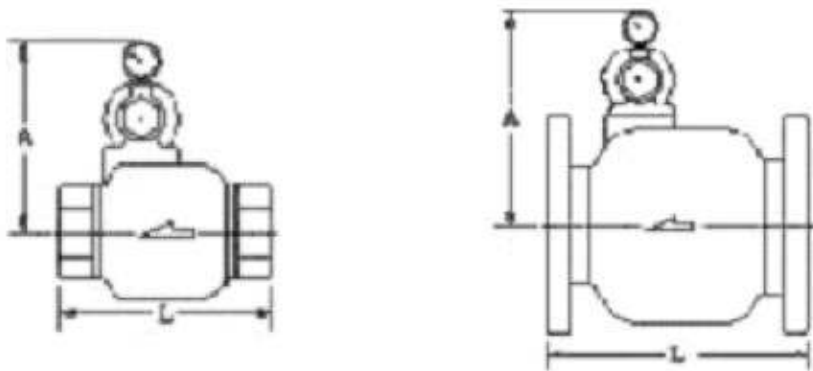
#### Flanged Ends Dimensions

	2"	2½"	3"	4"	5"	6"	8"	10"	12"	14"
L(mm)	190	210	225	250	280	310	420	470	530	600
A(mm)	180	185	200	222	235	260	300	335	370	415
Cv	75	105	140	260	390	550	1000	1600	2200	3000

Specifications for size above 14" is available on request

### Flow Chart of Float Valve





### **Outlet Pressure Adjustment**

#### ***To Increase Outlet Pressure***

- Tighten the adjusting bolt (clockwise).

#### ***To Decrease Outlet Pressure***

- Slacken / loosen the adjusting bolt (anti-clockwise).
- Release pressure, e.g. by briefly opening a tap on outlet side.