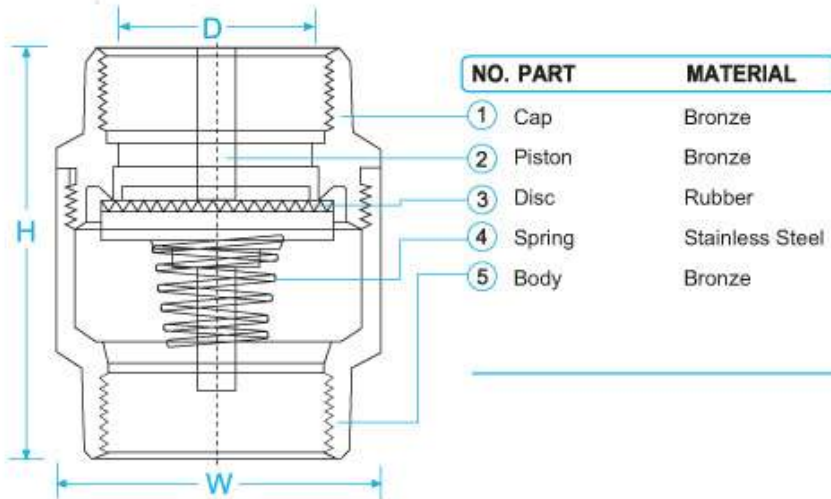


OHO® SPRING CHECK VALVE

Class 125 Spring Check Valve, Screwed Cap Integral Seat, Metal Piston Design, Threaded Ends to BS21 or NPT.



Model 904
Pneumatic pressure test:
6 kg/cm² (Air Under Water)
200 psi W.O.G. Non-Shock.

Model 904 Dimensions (mm)

Size (Inch)	1/2"	3/4"	1"	1 1/4"	1 1/2"	2"	2 1/2"
H Height	43.50	53.50	59.50	61.50	73	79	96
W Width	32	42	47	60	67	83.80	106
D Flow Way	15	20	25	30	40	50	65

OHO® DOUBLE CHECK VALVE

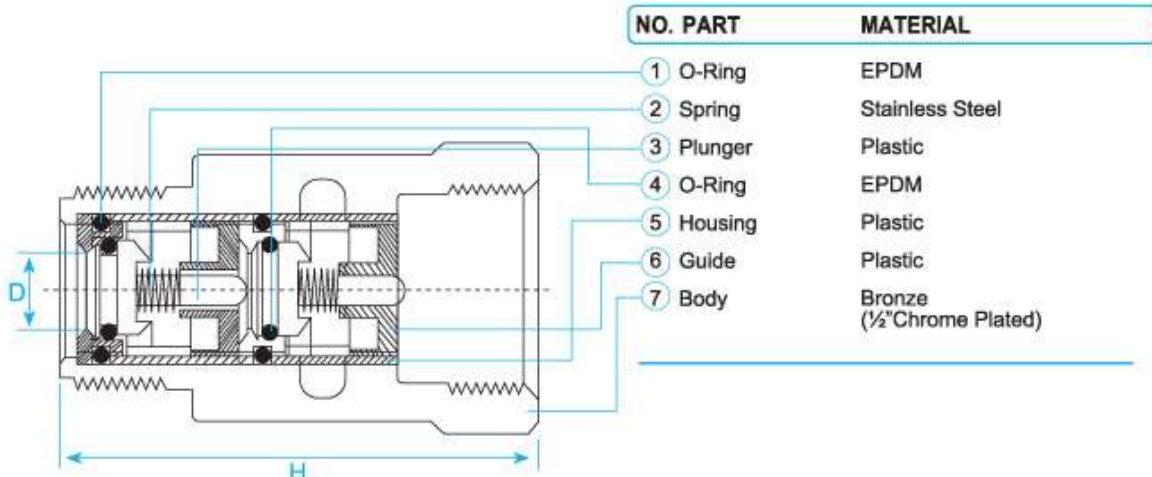
Class 125 Double Check Valve, Male x Female Threaded Design provides Cost and Installation Space Savings.

Dimensions (mm)

Valve Size	1/2" (Chrome Plated)	3/4"
D Flow Way	8.50	13
H Length	48	53



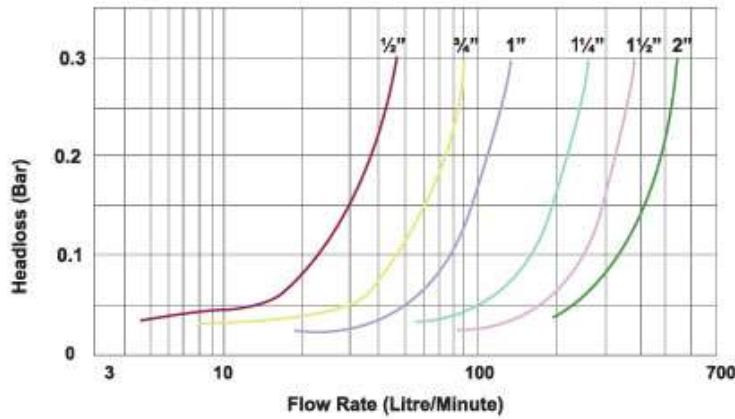
Model 707
Pneumatic pressure test: 6 Kg/cm²
(Air Under Water)
200 psi W.O.G. Non-shock



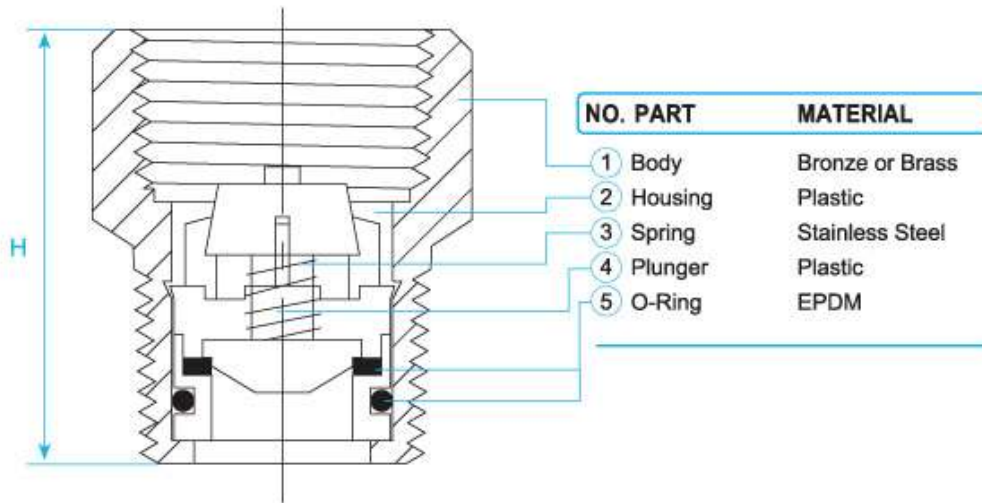
OHO® SPRING CHECK VALVE

Class 125 Spring Check Valve, One-Piece Body, Male x Female Threaded Ends to BS21.

2008/08 Edition Printed Catalog



Model 906
 Pneumatic Pressure Test:
 6 kg/cm² (Air Under Water)
 200 psi W.O.G. Non-Shock
 Max. Working Temperature: 60° C
 Max. Working Pressure: 10 Bar



Dimensions (mm)

Size (Inch)	1/2"	3/4"	1"	1 1/4"	1 1/2"	2"
H Height	29	39	47.50	49	59	72.50

Due to continuous product development, data is not binding and may change without prior notice

OHO® DUAL PLATE CHECK VALVE

2008/08 Edition Printed Catalog

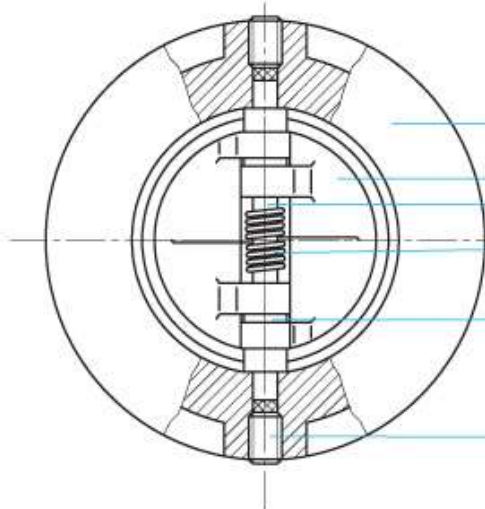
- Resilient Seat
- Fusion Bonded Epoxy Coating
- Standard to BS 5155

Hydro-Pressure Test:
24 Bar (Body)
18 Bar (Seat)

Pressure Rating: PN 16



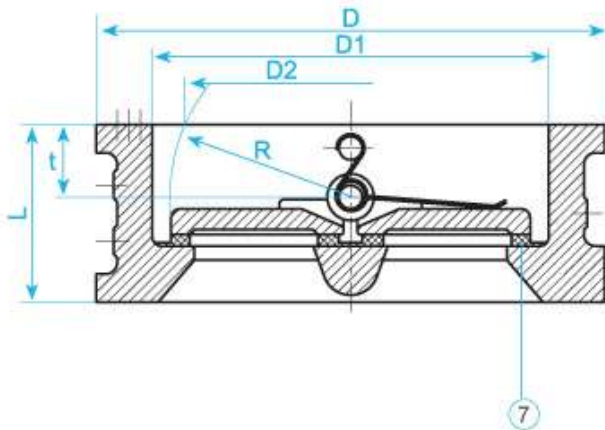
Model 9011



NO. PART	MATERIAL
1 Body	Ductile Iron with Fusion Bonded Epoxy Coating
2 Disc	Stainless Steel 304
3 Stem	Stainless Steel 410
4 Spring	Stainless Steel 304
5 Washer	PTFE
6 Nut	Stainless Steel
7 Seat	EPDM

Dimensions (mm)

Size DN	D	D1	D2	L	R	t
50	107	65	40	43	27	18.40
65	127	80	60	46	35	19.80
80	142	94	70	64	42	27.70
100	162	117	88	64	50	27.70
150	218	171	134	76	77	31.60
200	273	224	182	89	102.50	32.90
250	328	265	220	114	125	50.50
300	378	310	260	114	146	43.30
350	446	360	298	127	170	45.50



Due to continuous product development, data is not binding and may change without prior notice