

OHO® BUTTERFLY VALVE

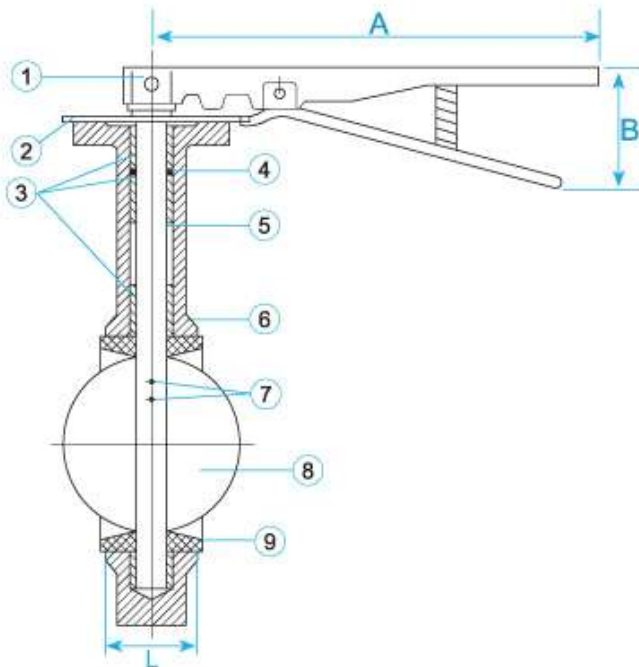
2008/08 Edition Printed Catalog

- Stainless Steel Disc
- Fusion Bonded Epoxy Coating
- Standard to BS EN 593
- Universal Flange Drilling
- Actuator Mounting Flange to ISO 5211

Hydro-Pressure Test:
24 Bar (Body)
17.6 Bar (Seat)

Pressure Rating: PN 16

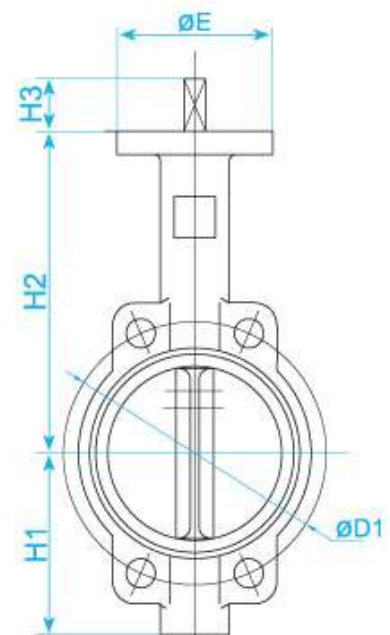
Model 7011
- Lever Operated



NO. PART	MATERIAL
1 Handle	Malleable Iron
2 Index Plate	Chrome Plated Steel
3 Bushing	PTFE
4 O-Ring	EPDM / NBR
5 Stem	Stainless Steel 410
6 Body	Ductile Iron with Fusion Bonded Epoxy Coating
7 Pin	Stainless Steel 304 / 316
8 Disc	Stainless Steel 304 / 316
9 Seat (Liner)	EPDM / NBR

Dimensions (mm)

Size DN	A	B	L	ØD1	ØE	H1	H2	H3
50	263.50	27	43	125	65	80	161	32
65	263.50	27	46	145	65	89	175	32
80	263.50	27	46	160	65	95	181	32
100	263.50	27	52	180	90	114	200	32
150	305.50	27	56	240	90	139	226	32
200	360	28	60	295	125	175	260	40
250	360	28	68	355	125	203	292	40
300	498	32	78	410	125	242	337	40



Due to continuous product development, data is not binding and may change without prior notice

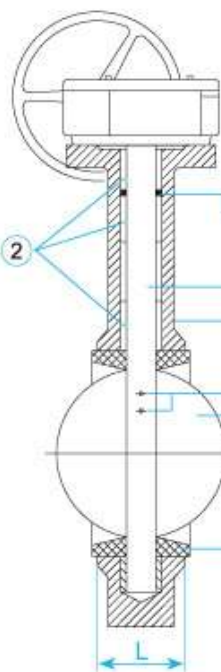
OHO® BUTTERFLY VALVE



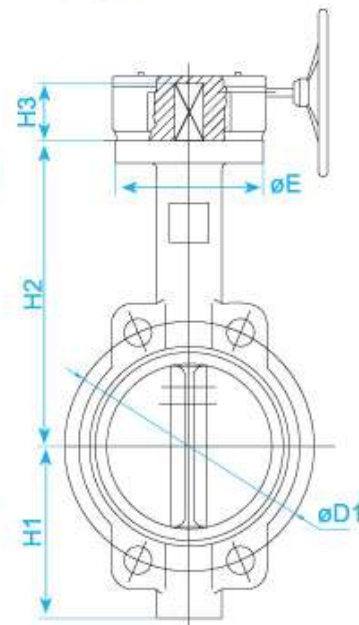
- Stainless Steel Disc
- Fusion Bonded Epoxy Coating
- Standard to BS EN 593
- Universal Flange Drilling
- Actuator Mounting Flange to ISO 5211
- Worm Gear Operated

Hydro-Pressure Test:
24 Bar (Body)
17.6 Bar (Seat)
Pressure Rating: PN 16

Model 7011
- Gear Operated



NO. PART	MATERIAL
1 O-Ring	EPDM / NBR
2 Bushing	PTFE
3 Stem	Stainless Steel 410
4 Body	Ductile Iron with Fusion Bonded Epoxy Coating
5 Pin	Stainless Steel 304 / 316
6 Disc	Stainless Steel 304 / 316
7 Seat (Liner)	EPDM / NBR



Dimensions (mm)

Size DN	A	B	C	D	E	Ø	L	ØE	ØD1	H1	H2	H3
50	104	226	45	128	74	150	43	65	125	80	161	32
65	104	226	45	128	74	150	46	65	145	89	175	32
80	104	226	45	128	74	150	46	65	160	95	181	32
100	104	226	45	128	74	150	52	90	180	114	200	32
150	104	226	45	128	74	150	56	90	240	139	226	32
200	149	313	63	179	103	300	60	125	295	175	260	40
250	149	313	63	179	103	300	68	125	355	203	292	40
300	164	307	80	200	118	300	78	125	410	242	337	40
350	164	307	80	200	118	300	78	125	470	267	368	45

