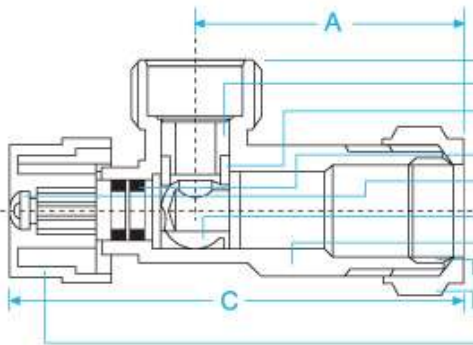




OHO® ANGLE BALL VALVE

One Piece Body Light Duty Angle Type Mini Ball Valve Design Offers Cost & Space Saving.

2008/08 Edition Printed Catalog



NO. PART	MATERIAL
1 Seat Retainer	Brass
2 Seat	Teflon
3 Stem Seal	EPDM
4 Screw	Brass
5 Ball	Chrome Plated DZR Brass
6 Body	Chrome Plated DZR Brass
7 Compression Ring	Copper
8 Compression Nut	Brass
9 Handle	Zinc Alloy



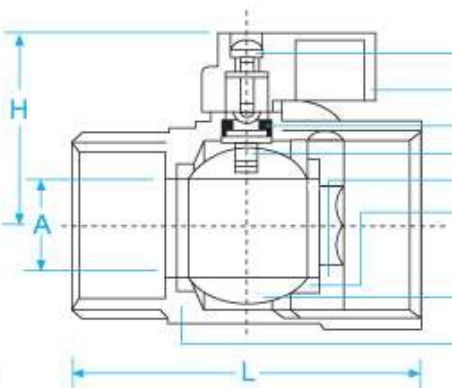
Model 1102
Pneumatic pressure test:
6 kg/cm² (Air Under Water)
100 psi W.O.G. Non-Shock.

Model 1102 Dimensions (mm)

Size Inch	1/2" x 3/8"	1/2" x 1/2"
A	42	42
B	24	24
C	75	75

OHO® MINI BALL VALVE

Light Duty Chrome Plated DZR Brass Mini Ball Valve, Chrome Plated Zinc Alloy Handle, Male x Female Threaded Ends.



NO. PART	MATERIAL
1 Screw	Brass
2 Handle	Zinc Alloy
3 Stem Seal	EPDM
4 Stem	Brass
5 Seat Retainer	Brass
6 Seat	Teflon
7 Ball	Chrome Plated DZR Brass
8 Body	Chrome Plated DZR Brass



Model 5012
Pneumatic pressure test:
6 kg/cm² (Air Under Water)
200 psi W.O.G. Non-Shock.

Model 5012 Dimensions (mm)

Size (Inch)		1/2"	3/4"	1"
A	Bore Size	ø10	ø12	ø17
H	Height	29.20	33	35
L	End to End	44.70	54	62

Due to continuous product development, data is not binding and may change without prior notice

OHO® BRASS BALL VALVE

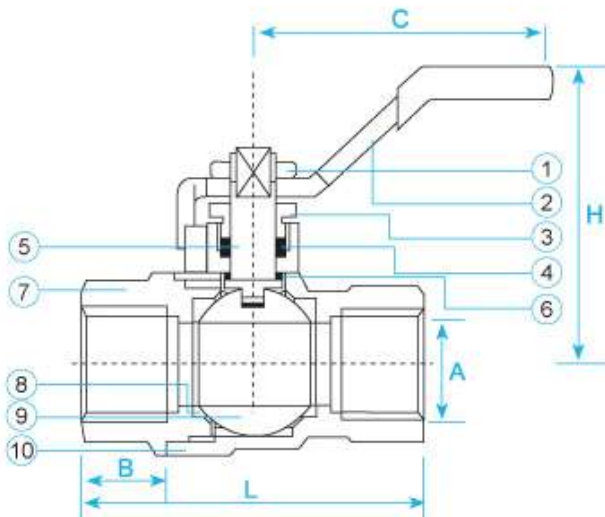
2-Piece Body, 600 & 400 W.O.G. Brass Ball Valve, Full Port Flow Passage, PTFE Seats, Blowout Proof Stem, Threaded Ends to BS21 or NPT.



Model 2209
400 psi W.O.G. Non-Shock
100 psi Saturated Steam
170°C Maximum Temperature



Model 2217
600 psi W.O.G. Non-Shock
150 psi Saturated Steam
170°C Maximum Temperature



NO. PART	MATERIAL
① Stem Nut	Brass
② Handle	Steel
③ Gland Nut	Brass
④ Stem Packing	PTFE
⑤ Stem	Brass
⑥ Thrust Washer	PTFE
⑦ Body Cap	Brass
⑧ Ball Seat	PTFE
⑨ Ball	Brass (Chromed Plated)
⑩ Body	Brass (Nickel Plated)

MODEL 2209
Test Pressure: Shell 600 psi (Hydrostatic)
Seat 80 psi (Air)

MODEL 2217
Test Pressure: Shell 900 psi (Hydrostatic)
Seat 80 psi (Air)

Model 2209 Dimensions (mm)

Size (Inch)	1/4"	3/8"	1/2"	3/4"	1"	1 1/4"	1 1/2"	2"	2 1/2"	3"	4"
A Bore Size	ø8	ø10	ø14.50	ø19	ø24	ø31	ø39	ø48	ø65	ø80	ø100
L End to End	42	44	53	61	74	81	94	110	143	160	184
H Height	37	38	49	54	63	69	76	87	119	131	146
B Length of Connection	10	10.50	13.50	14	17.50	18	19	19.50	30	30.50	33
C Length of Handle	76	76	90	107	133	133	142	153	240	240	240

Model 2217 Dimensions (mm)

Size (Inch)	1/4"	3/4"	1"	1 1/4"	1 1/2"	2"
A Bore Size	ø15	ø20	ø25	ø32	ø40	ø50
L End to End	59.50	68	81	95	104	126
H Height	51.60	59	68	73	81.50	92.50
B Length of Connection	15	16.50	20	23	24	27.40
C Length of Handle	90	107	133	133	142	153

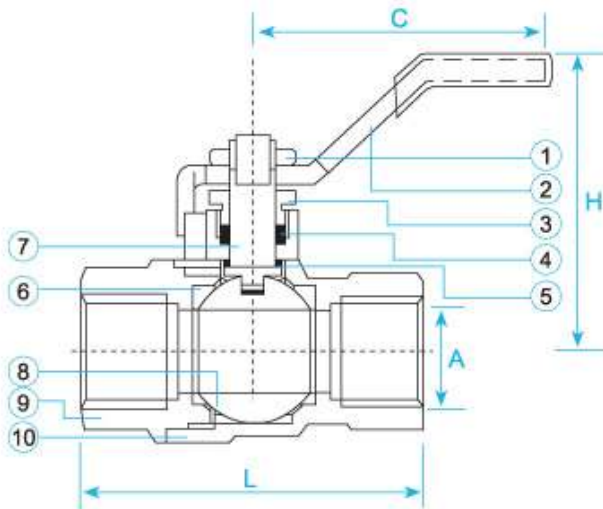
OHO® BRONZE BALL VALVE

2-Piece Body, 600 W.O.G. Bronze Ball Valve, Full Port Flow Passage, PTFE Seats, Blowout Proof Stem, Threaded Ends to BS21 or NPT.



Model 503BF

600 psi W.O.G. Non-Shock
150 psi Saturated Steam
170°C Maximum Temperature



NO. PART	MATERIAL
① Stem Nut	Brass
② Handle	Steel
③ Gland Nut	Brass
④ Stem Packing	PTFE
⑤ Thrust Washer	PTFE
⑥ Ball Seat	PTFE
⑦ Stem	Brass
⑧ Ball	Brass (Chrome Plated)
⑨ Body Cap	Bronze
⑩ Body	Bronze

Test Pressure: Shell 900 psi (Hydrostatic)
Seat 80 psi (Air)

Model 503BF Dimensions (mm)

Size (Inch)	1/4"	3/8"	1/2"	3/4"	1"	1 1/4"	1 1/2"	2"
A Bore Size	ø10	ø10	ø13	ø20	ø25	ø32	ø40	ø50
L End to End	47	47	53	61	72	81	95	112
H Height	46	46	46	58	62	72	77	85
C Length of Handle	85	85	85	104	104	134	134	154